

JEOPARDY!

Chapter 2 Review

JEOPARDY BOARD

FINAL JEOPARDY

What ya
say?

That's not
normal

What's
your angle

Shape
yourself

That's
Right

\$100

\$100

\$100

\$100

\$100

\$200

\$200

\$200

\$200

\$200

\$300

\$300

\$300

\$300

\$300

\$400

\$400

\$400

\$400

\$400

\$500

\$500

\$500

\$500

\$500

Topic 1 - \$100 Question

Two shapes that have a sequence of rigid transformations that carries one onto the other. The corresponding angles and sides of polygons have equal measures.

Click to see answer



Topic 1 - \$100 Answer

Congruent

[Click to return to Jeopardy Board](#)



Topic 1 - \$200 Question

A line that intersects two or more other lines on a flat surface (plane).

Click to see answer



Topic 1 - \$200 Answer

Transversal

[Click to return to Jeopardy Board](#)



Topic 1 - \$300 Question

A quadrilateral with two pairs
of parallel sides

Click to see answer



Topic 1 - \$300 Answer

Parallelogram

[Click to return to Jeopardy Board](#)



Topic 1 - \$400 Question

A quadrilateral with at exactly one pair of parallel sides.

Click to see answer



Topic 1 - \$400 Answer

Trapezoid

[Click to return to Jeopardy Board](#)



Topic 1 - \$500 Question

When two lines cross the angles across from each other. Hint they are equal.

Click to see answer



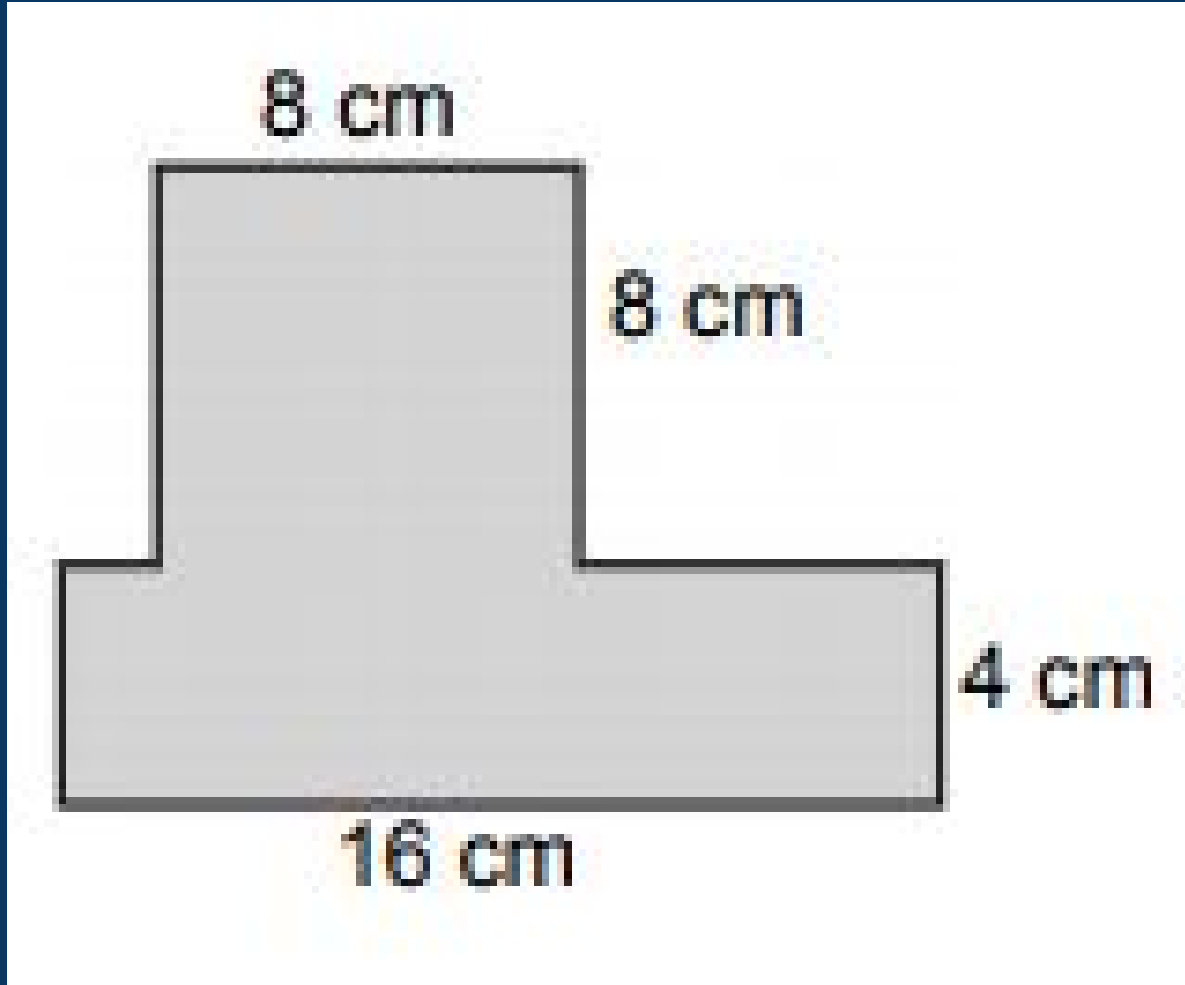
Topic 1 - \$500 Answer

Vertical Angles

[Click to return to Jeopardy Board](#)



Topic 2 - \$100 Question



Click to see answer



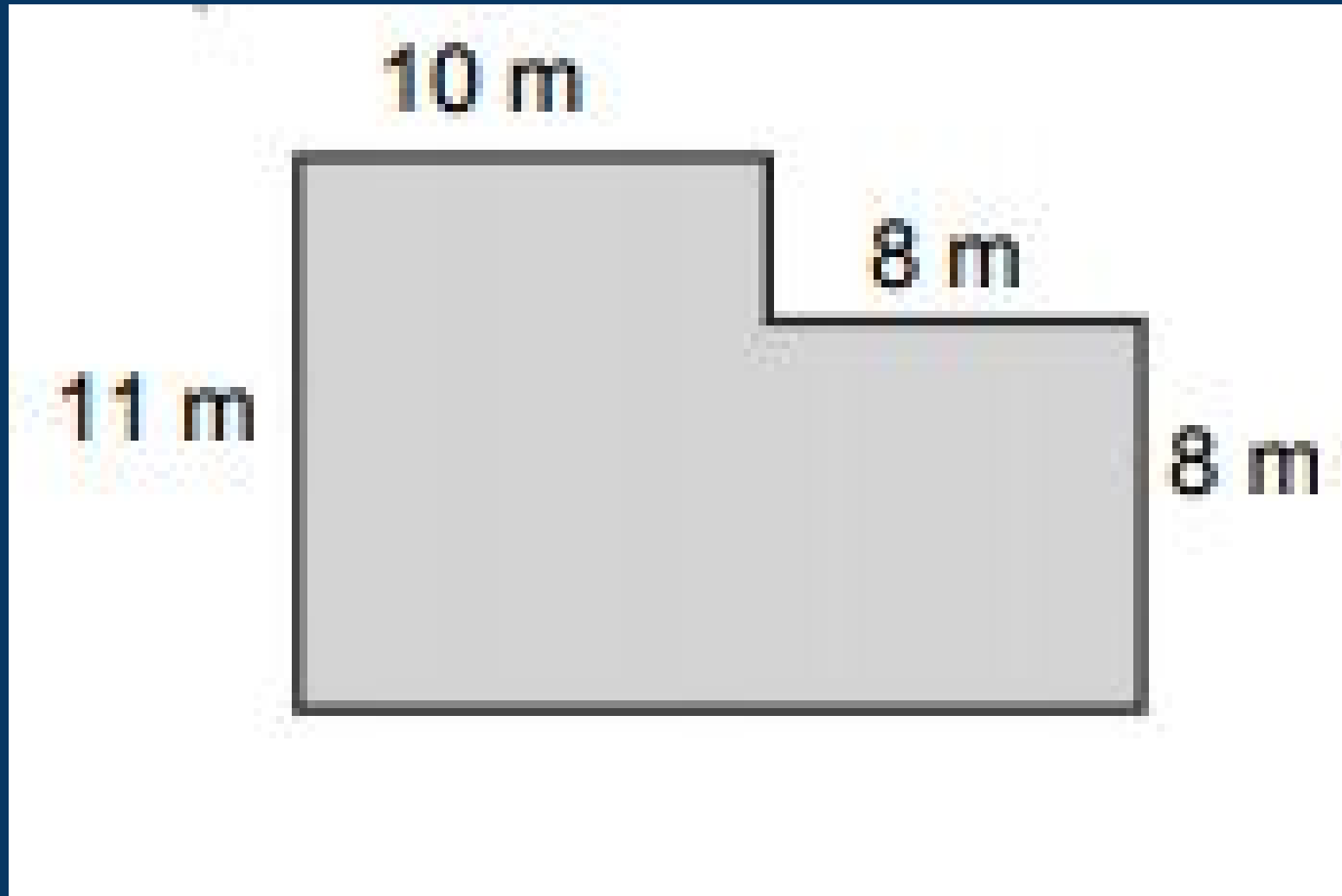
Topic 2 - \$100 Answer

128 square centimeters

[Click to return to Jeopardy Board](#)



Topic 2 - \$200 Question



Click to see answer



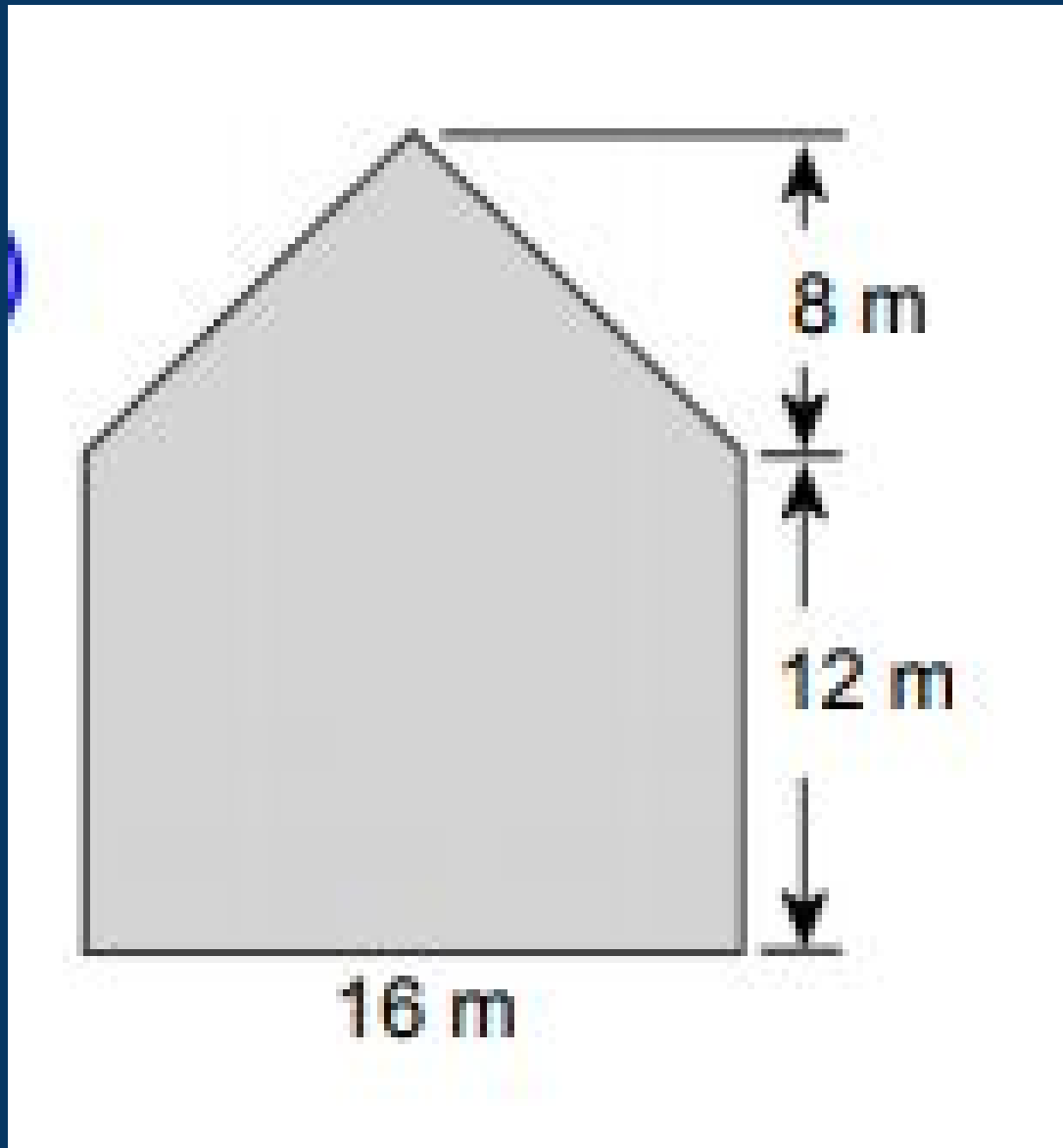
Topic 2 - \$200 Answer

160 square meters

[Click to return to Jeopardy Board](#)



Topic 2 - \$300 Question



Click to see answer



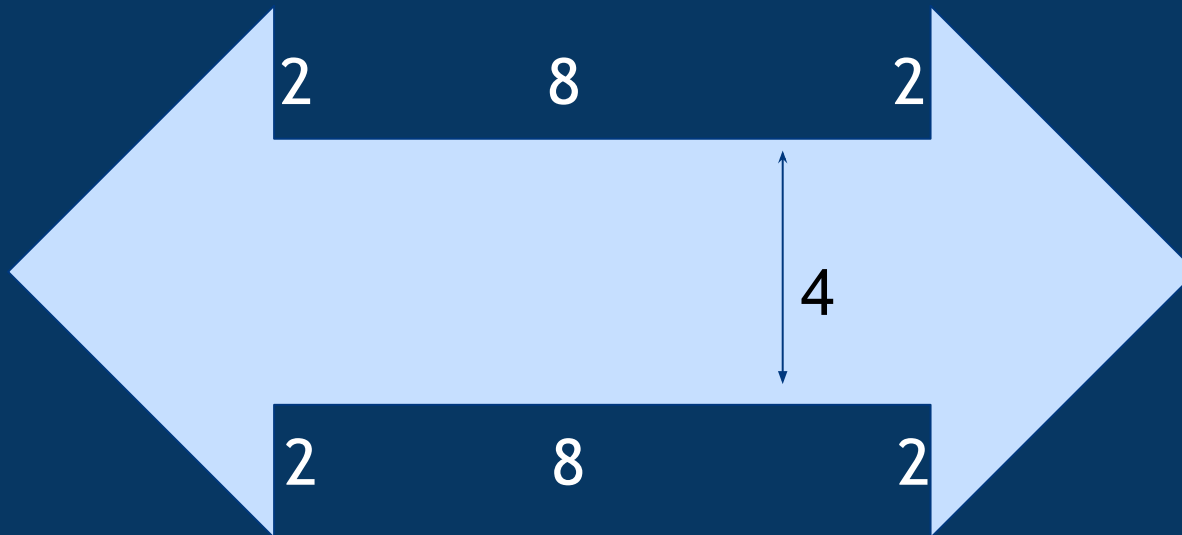
Topic 2 - \$300 Answer

256 square meters

[Click to return to Jeopardy Board](#)



Topic 2 - \$400 Question



14

Click to see answer



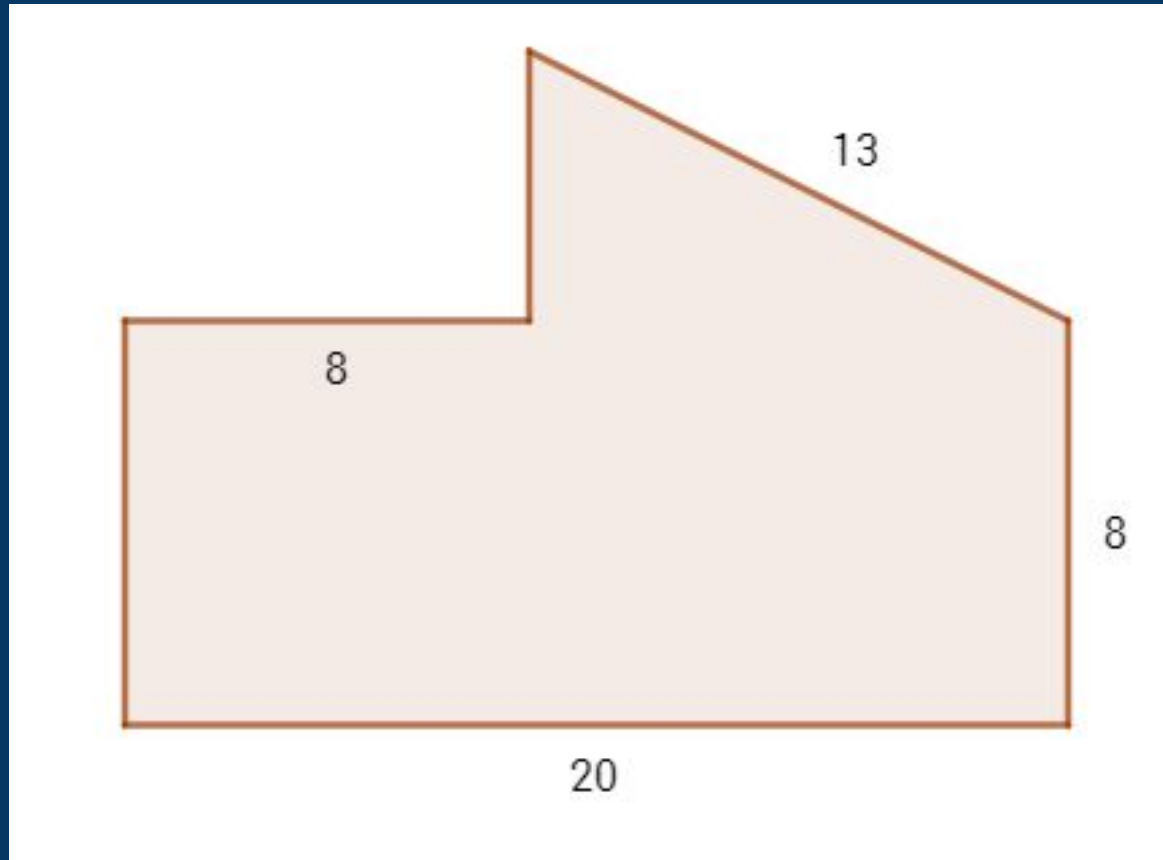
Topic 2 - \$400 Answer

56 square units

[Click to return to Jeopardy Board](#)



Topic 2 - \$500 Question



Click to see answer



Topic 2 - \$500 Answer

190 square units

[Click to return to Jeopardy Board](#)



Topic 3 - \$100 Question



Click to see answer



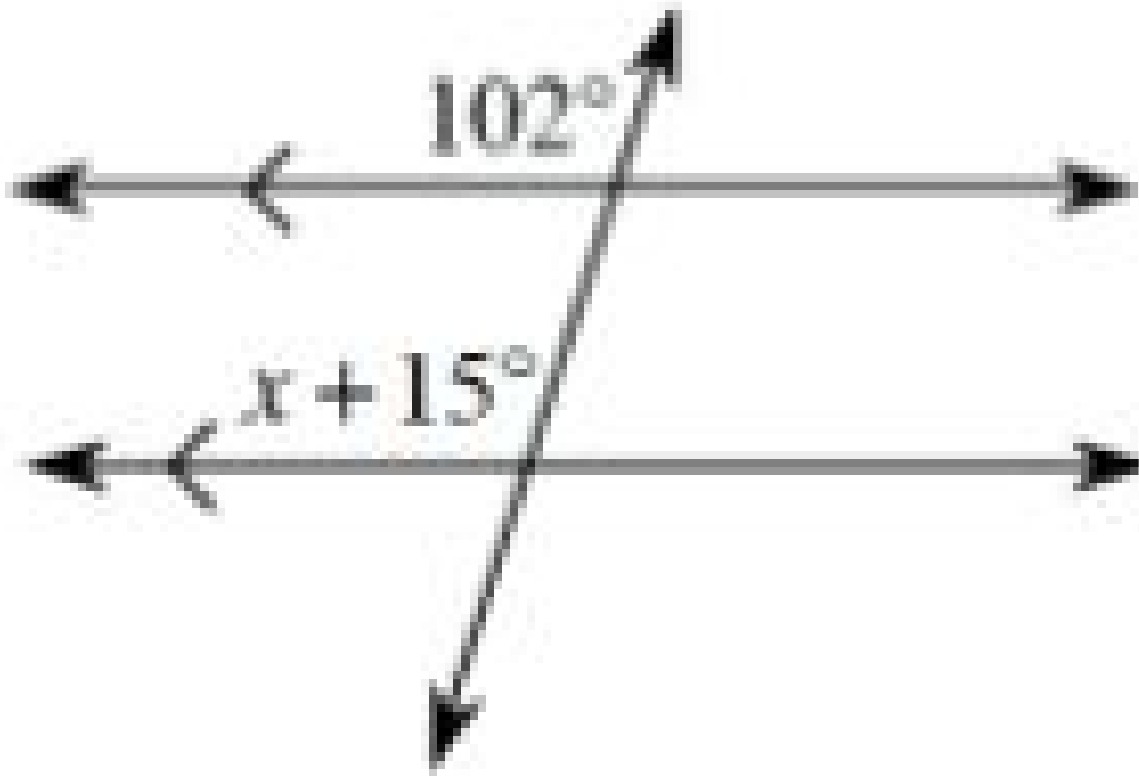
Topic 3 - \$100 Answer

$$x=10$$

[Click to return to Jeopardy Board](#)



Topic 3 - \$200 Question



Click to see answer



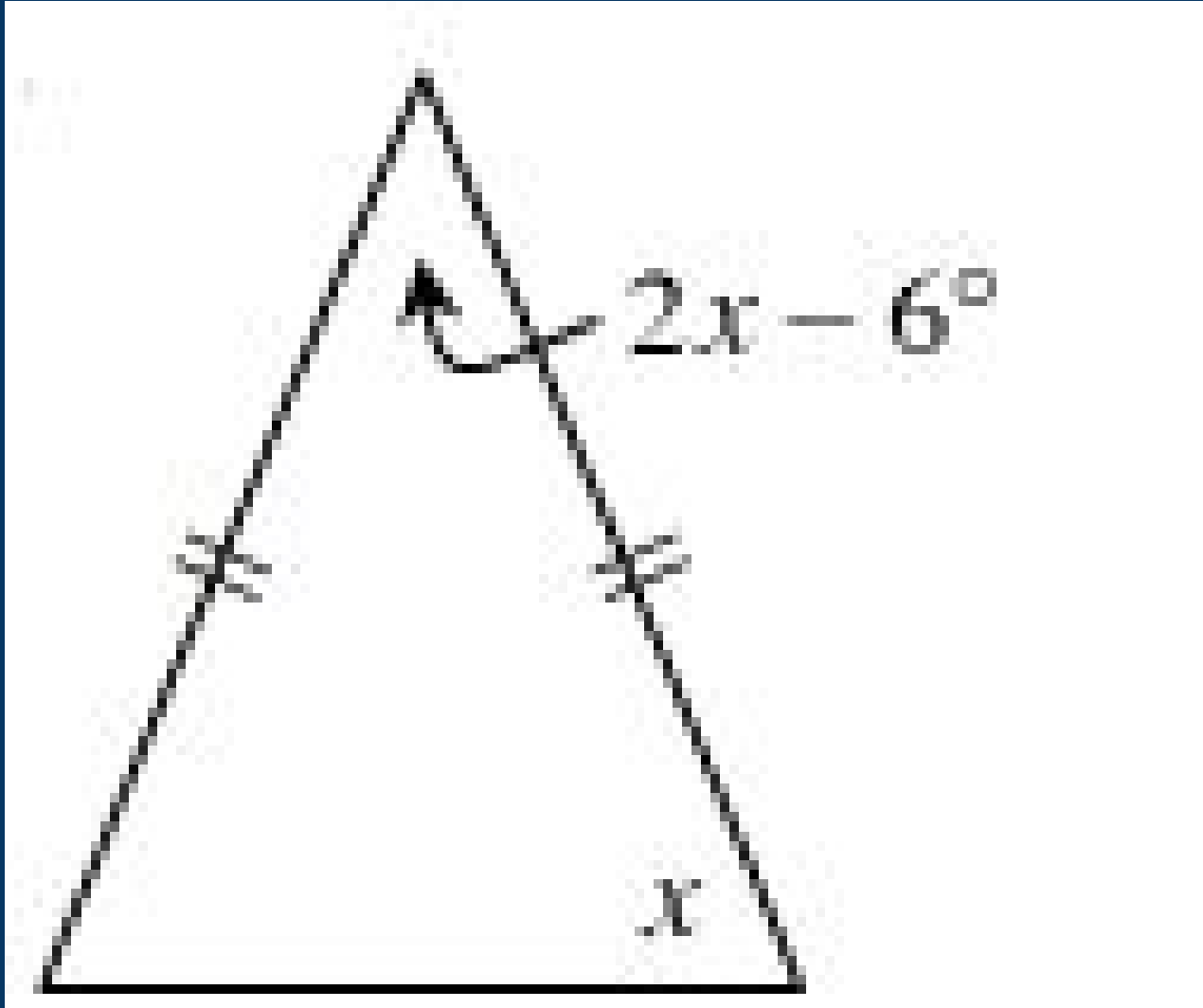
Topic 3 - \$200 Answer

$$x=87$$

[Click to return to Jeopardy Board](#)



Topic 3 - \$300 Question



Click to see answer



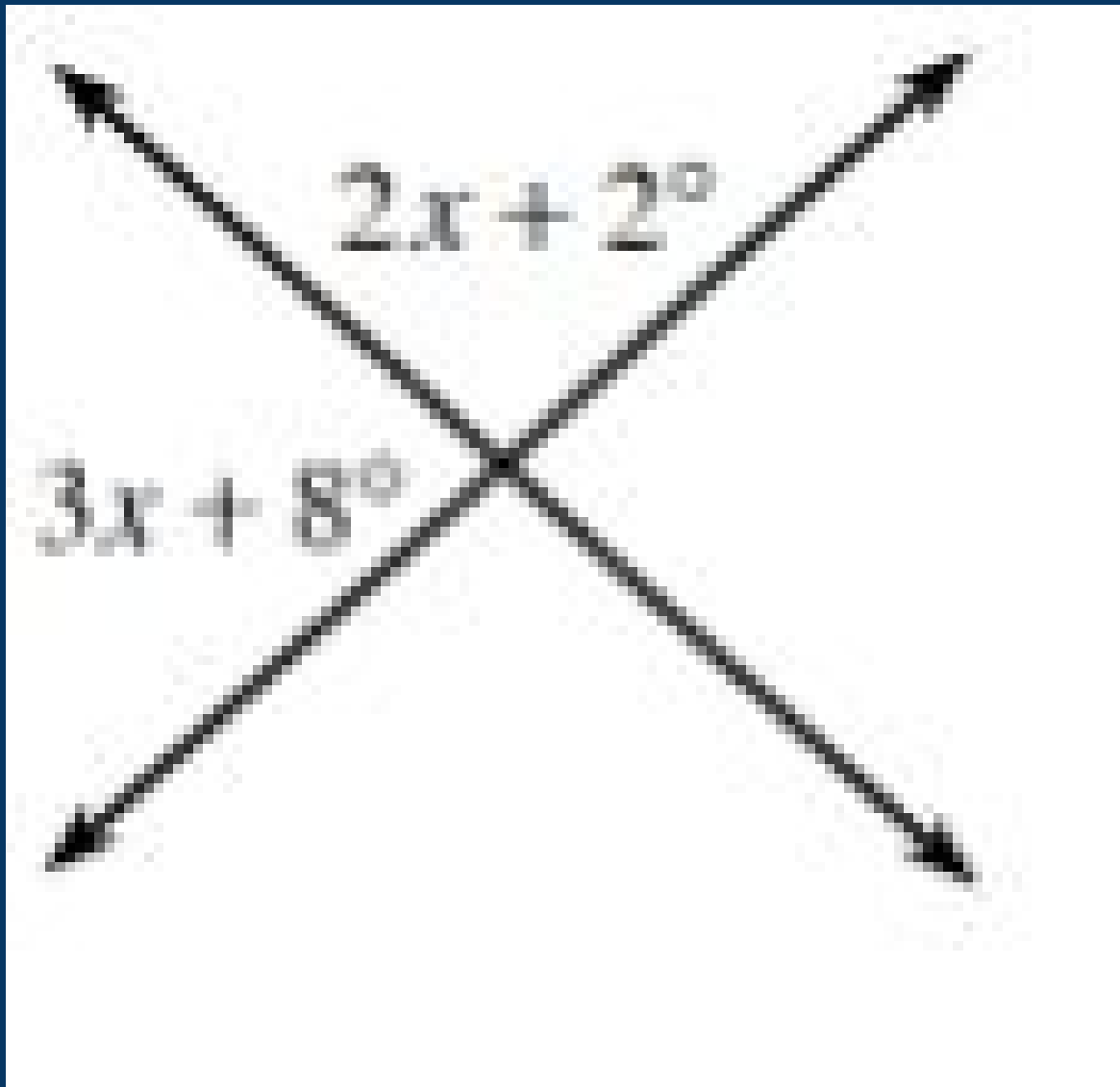
Topic 3 - \$300 Answer

$$x=46.5$$

[Click to return to Jeopardy Board](#)



Topic 3 - \$400 Question



Click to see answer



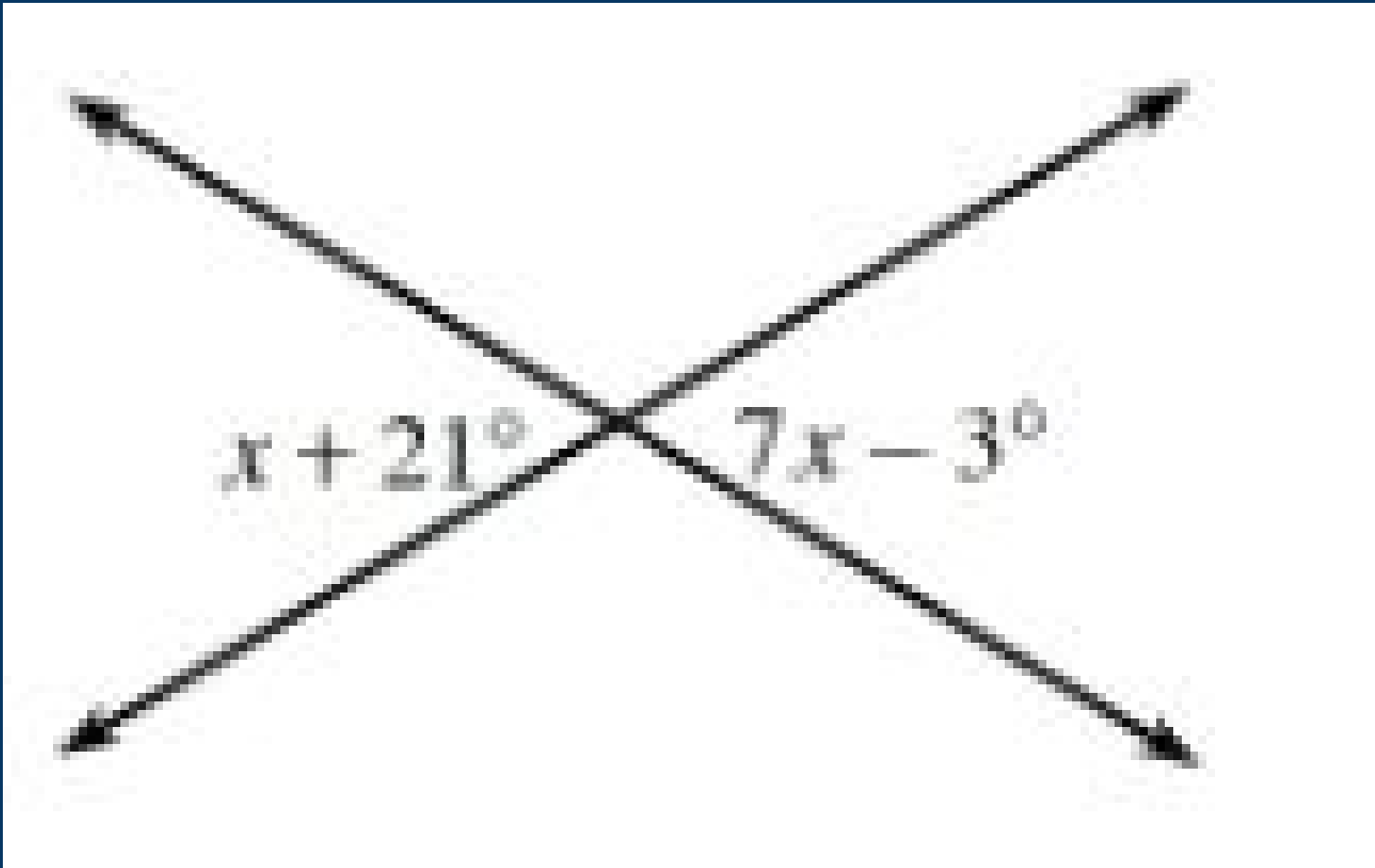
Topic 3 - \$400 Answer

$$x=34$$

Click to return to Jeopardy Board



Topic 3 - \$500 Question



Click to see answer



Topic 3 - \$500 Answer

$$x=4$$

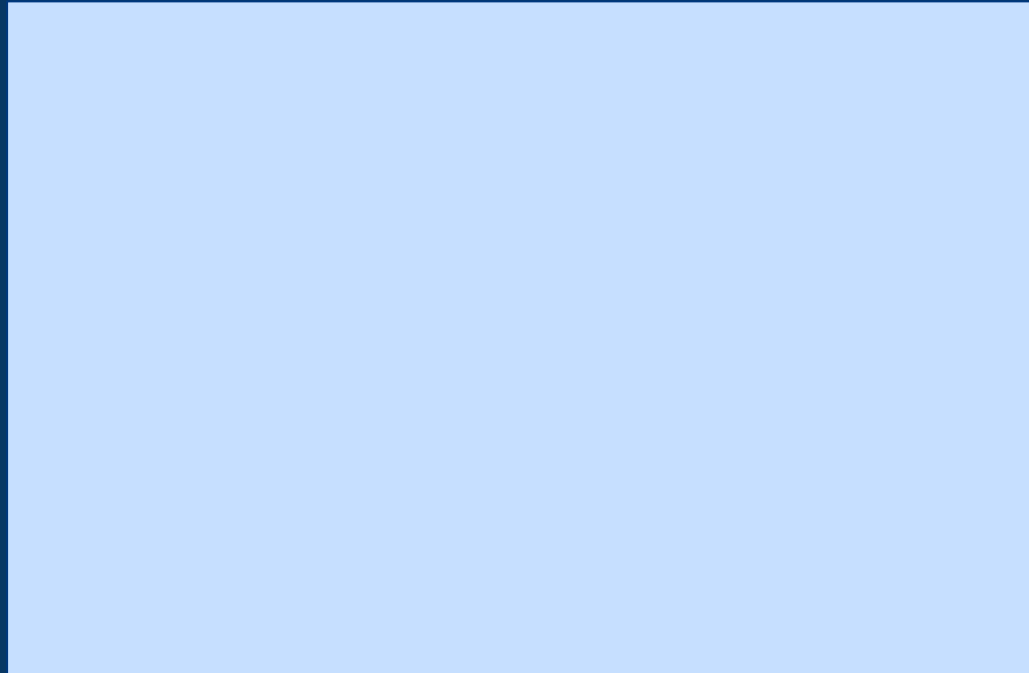
[Click to return to Jeopardy Board](#)



Topic 4 - \$100 Question

16

12



Click to see answer



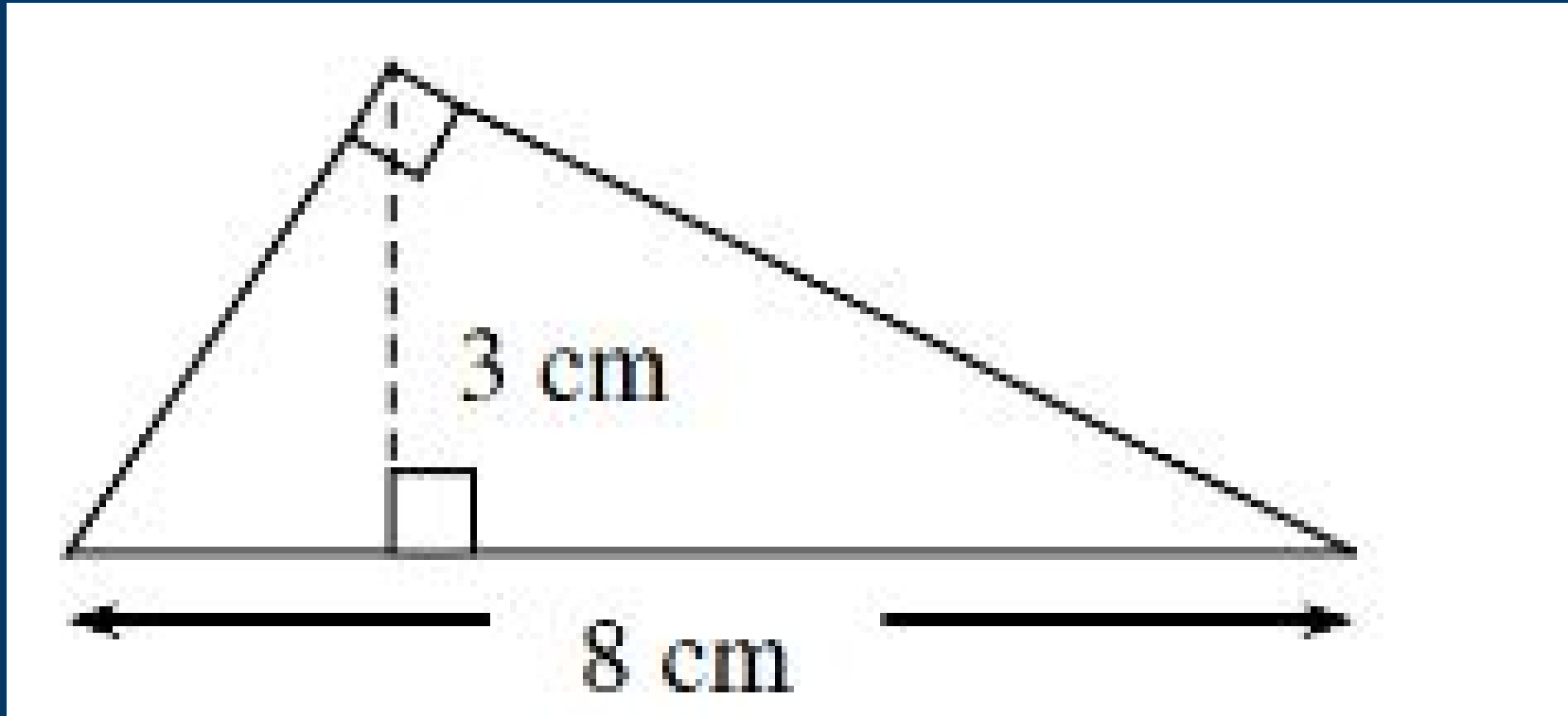
Topic 4 - \$100 Answer

226 square units

[Click to return to Jeopardy Board](#)



Topic 4 - \$200 Question



Click to see answer



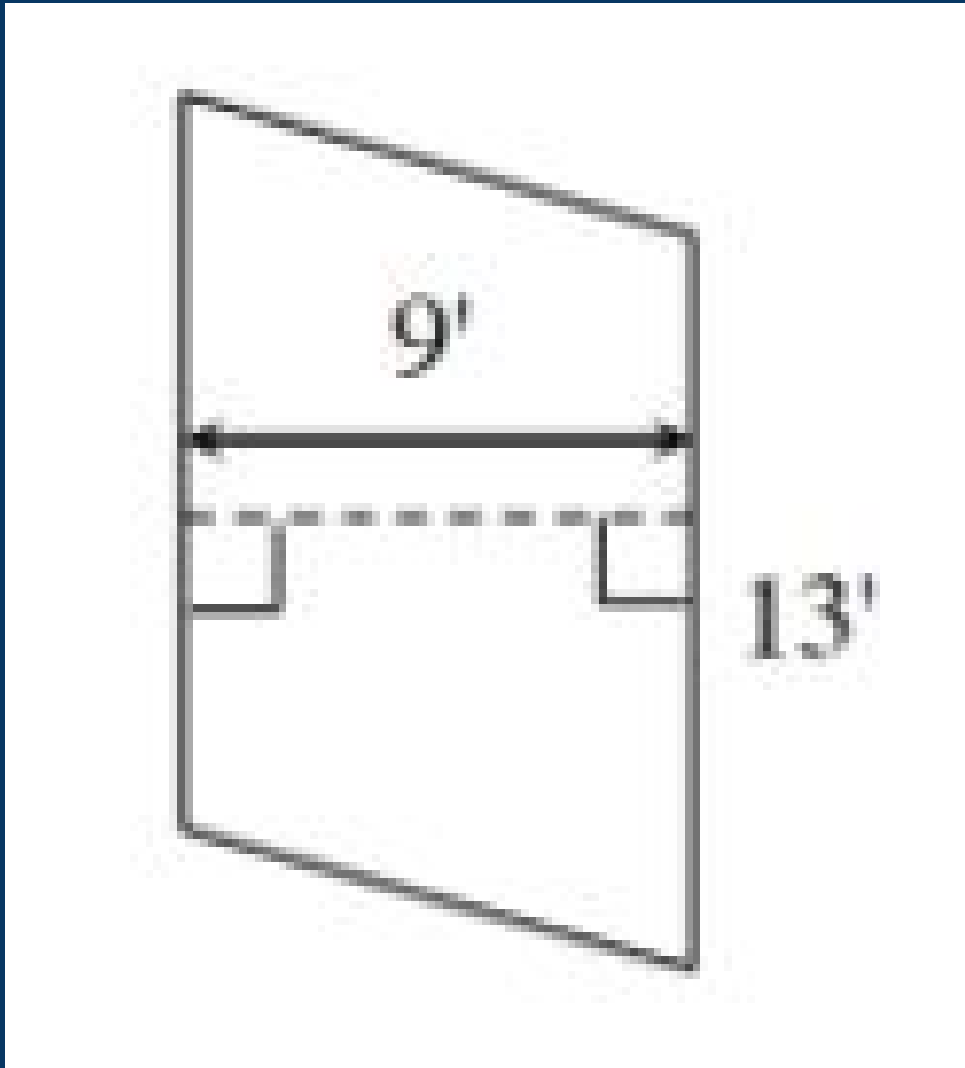
Topic 4 - \$200 Answer

24 square centimeters

[Click to return to Jeopardy Board](#)



Topic 4 - \$300 Question



Click to see answer



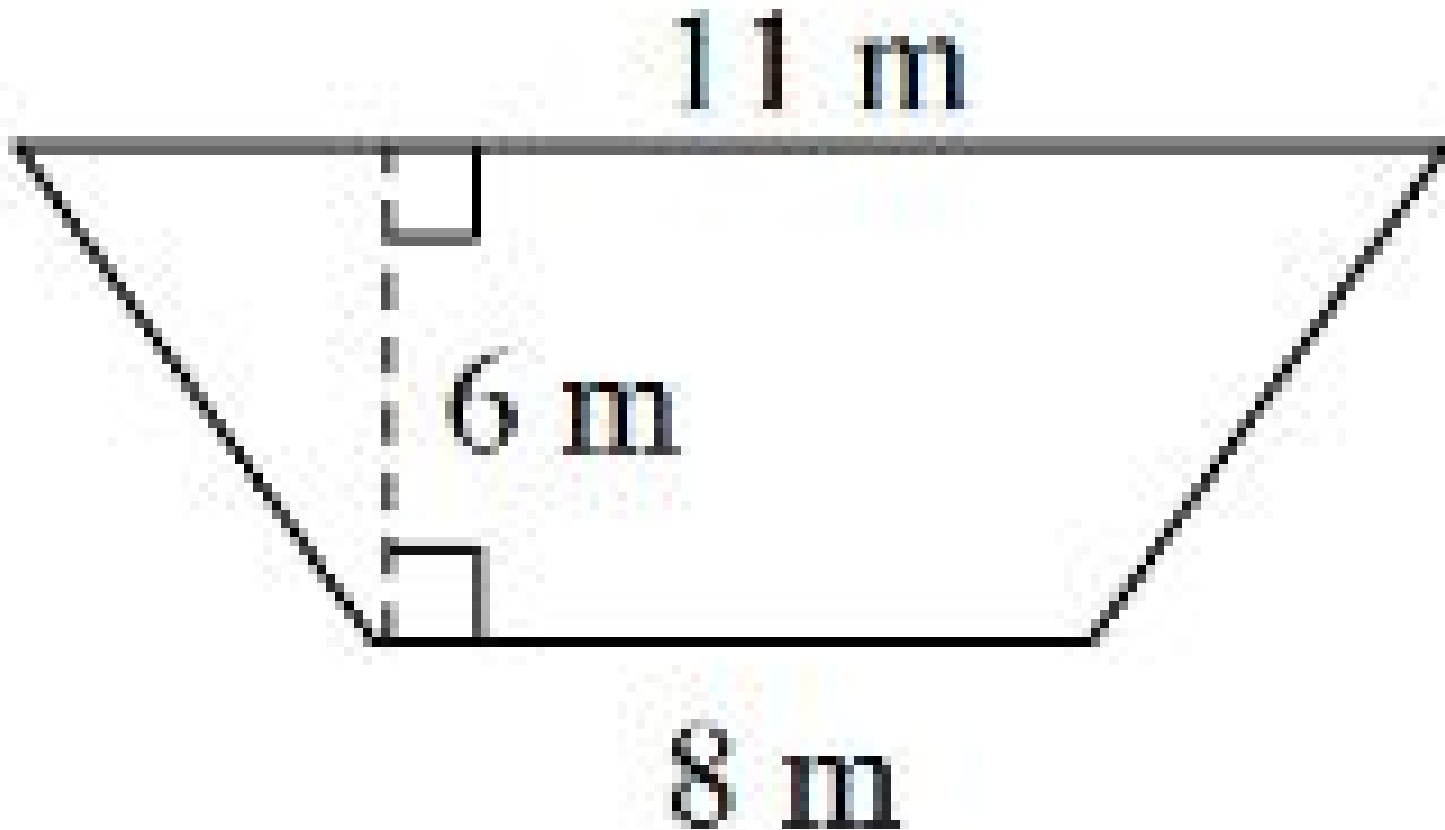
Topic 4 - \$300 Answer

117 square feet

[Click to return to Jeopardy Board](#)



Topic 4 - \$400 Question



Click to see answer



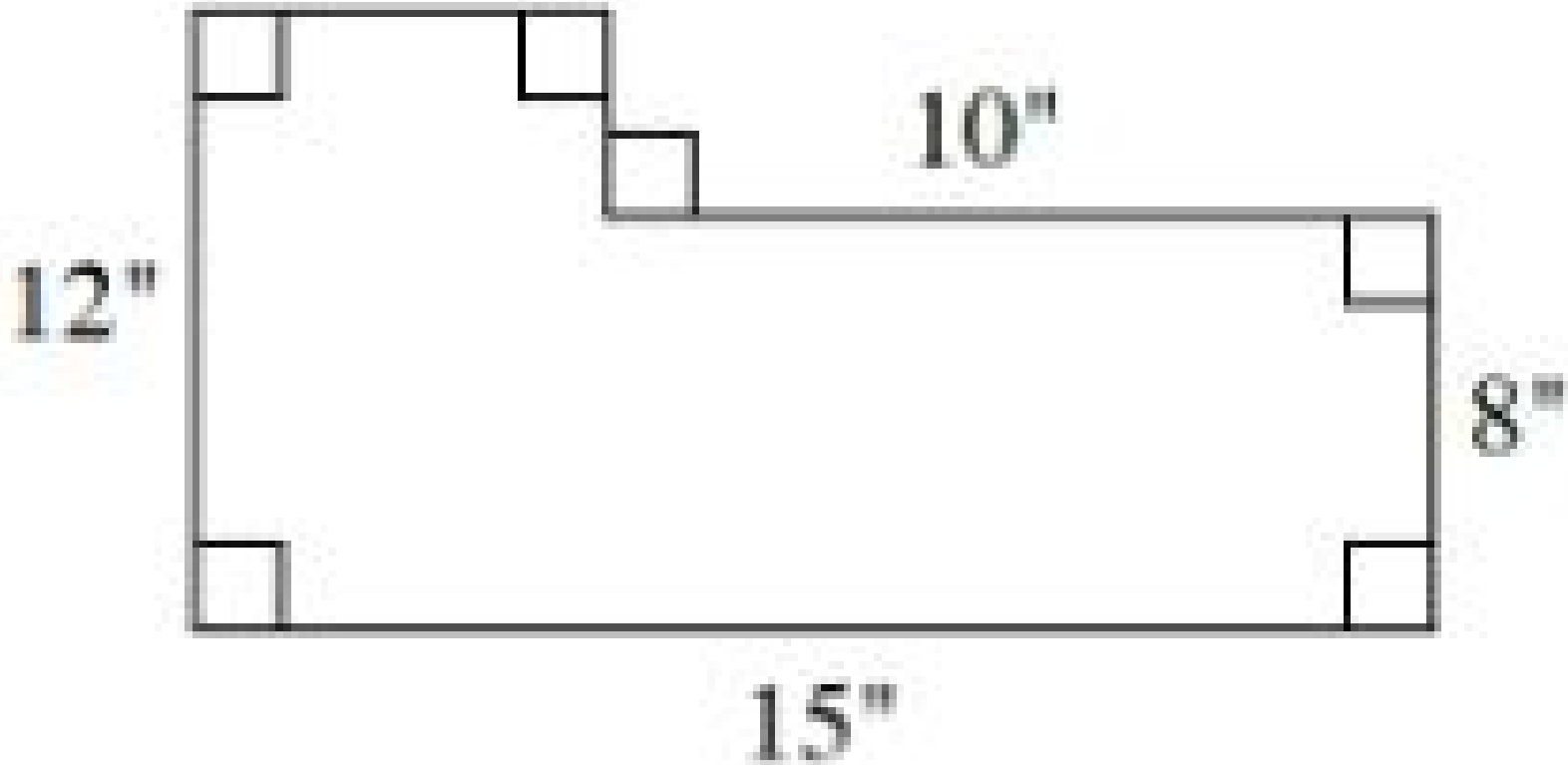
Topic 4 - \$400 Answer

57 square meters

[Click to return to Jeopardy Board](#)



Topic 4 - \$500 Question



Click to see answer



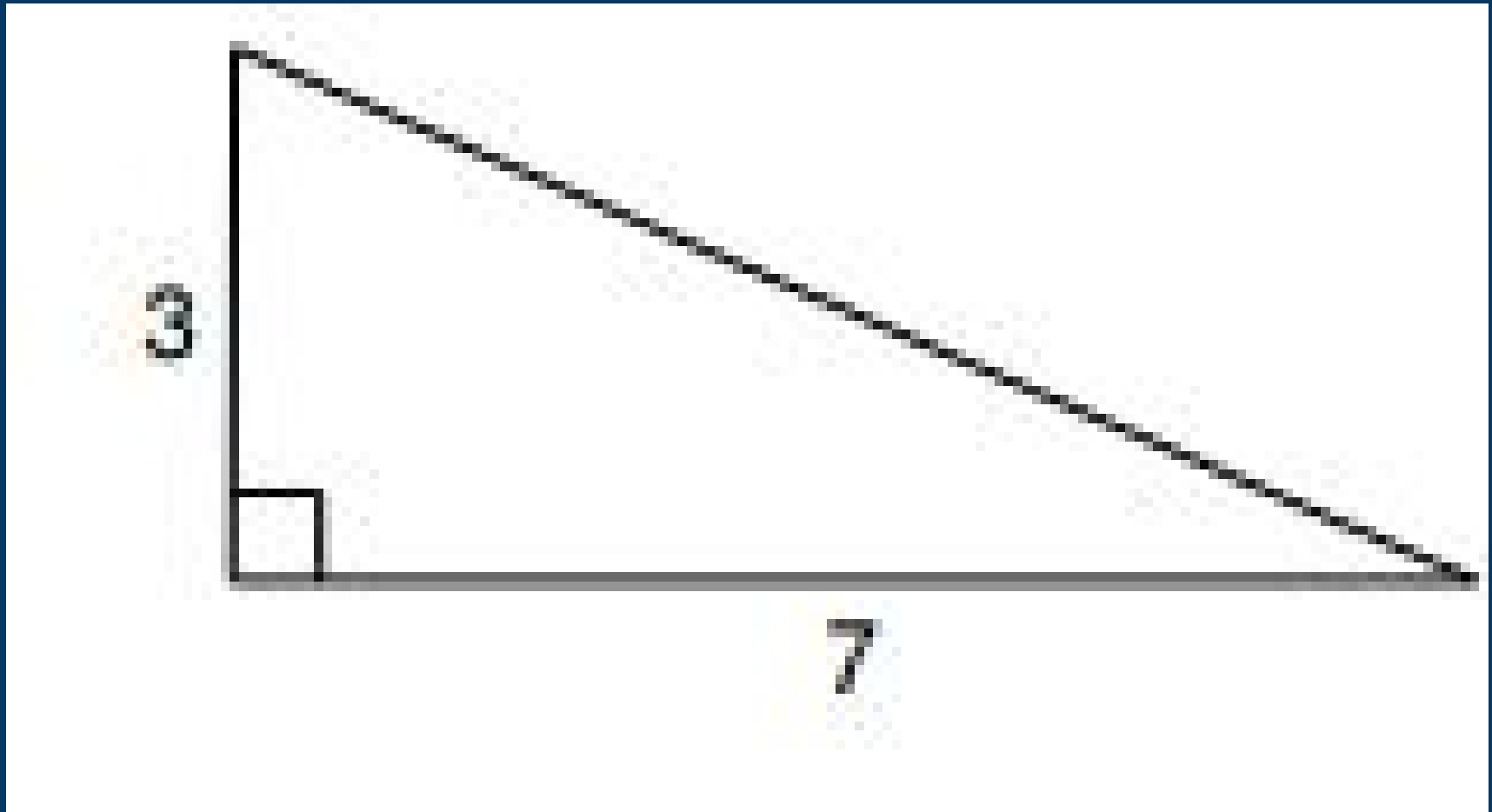
Topic 4 - \$500 Answer

140 square inches

[Click to return to Jeopardy Board](#)



Topic 5 - \$100 Question



Click to see answer



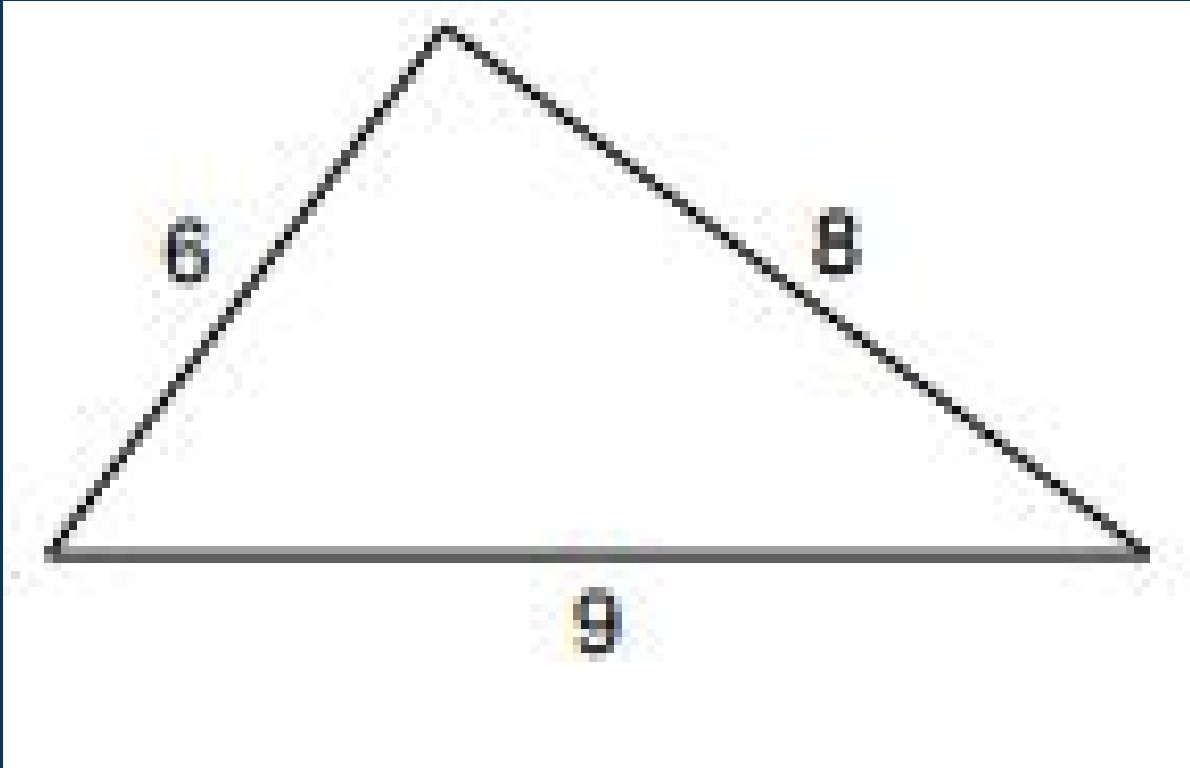
Topic 5 - \$100 Answer

$\sqrt{58}$

[Click to return to Jeopardy Board](#)



Topic 5 - \$200 Question



Must show proof of work

Click to see answer



Topic 5 - \$200 Answer

No, they do not

[Click to return to Jeopardy Board](#)



Topic 5 - \$300 Question

3, 6, 2

1, 13, 13

7, 5, 4

Determine whether the following values can be the side lengths of a triangle.

Click to see answer



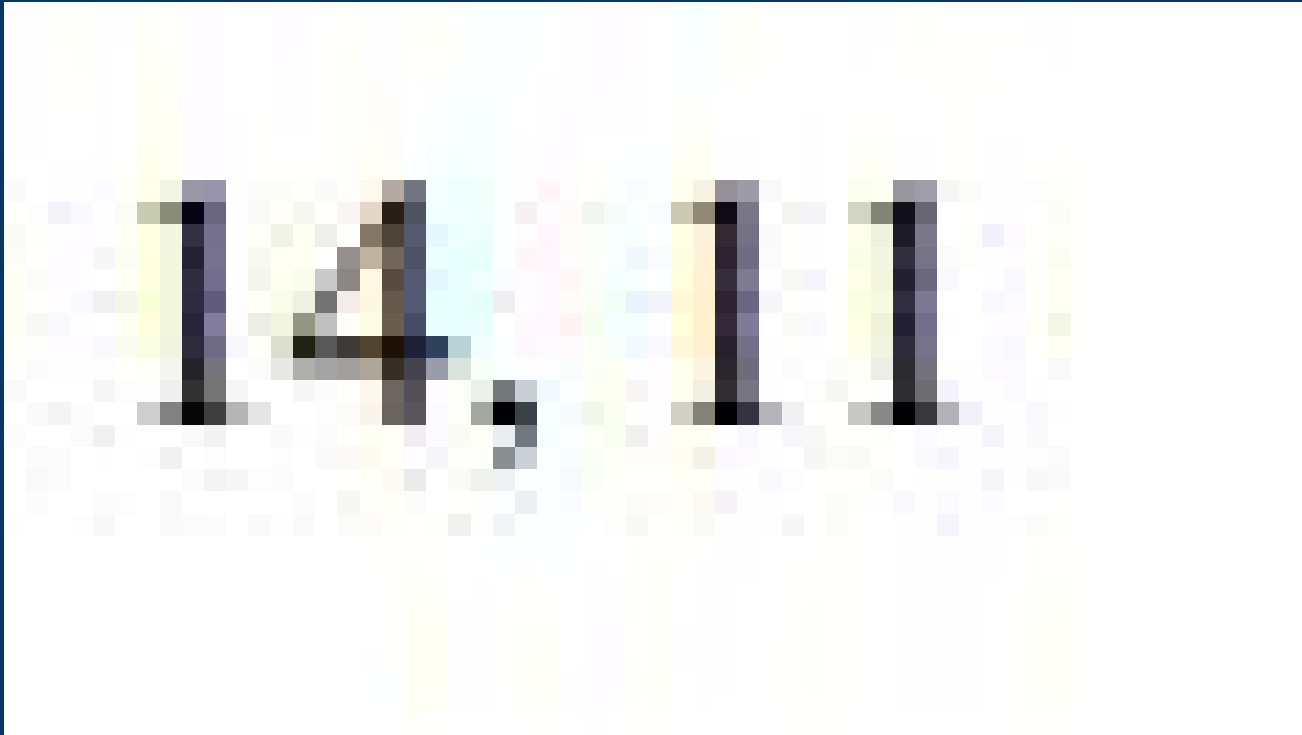
Topic 5 - \$300 Answer

No, yes, yes

[Click to return to Jeopardy Board](#)



Topic 5 - \$400 Question



Find the range of possible values for the third side of triangle

Click to see answer



Topic 5 - \$400 Answer

$$3 < c < 25$$

Click to return to Jeopardy Board



Topic 5 - \$500 Question

Given the side lengths 3, 5, and 8. If we eliminate 1 side, what range of values would work for the third side, regardless of what the other two sides are?

Click to see answer



Topic 5 - \$500 Answer

No, a triangle cannot be created.

[Click to return to Jeopardy Board](#)



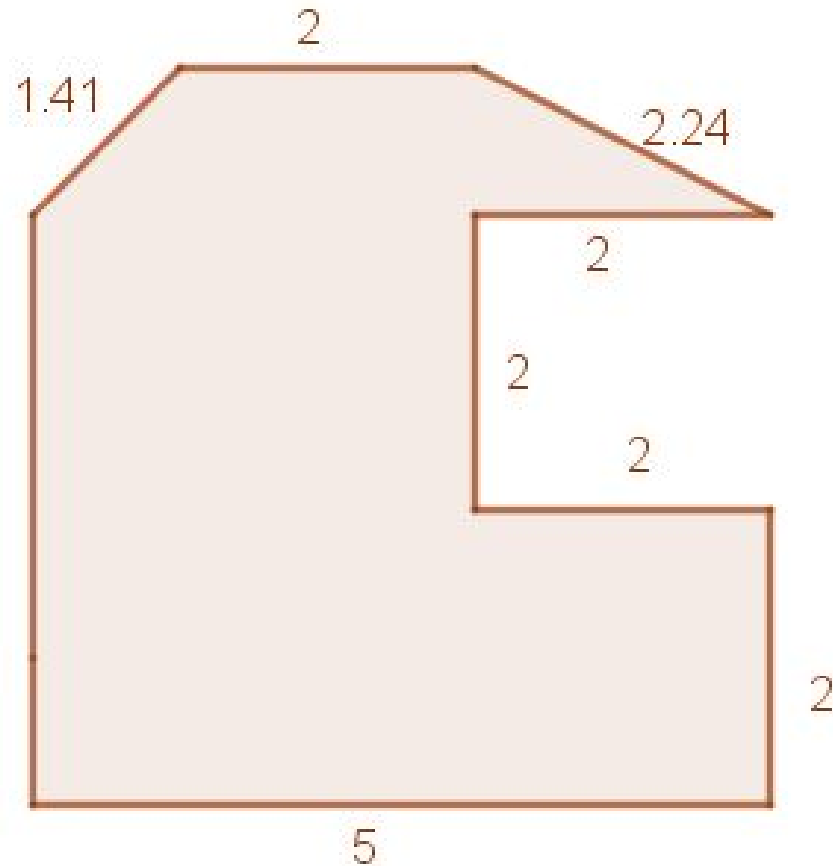
FINAL

JEOPARDY!

Topic: What is regular?

Click to see question 

Final Jeopardy Question



Click to see answer



Final Jeopardy Answer

19.5 units squared

[Click to return to Jeopardy Board](#)

